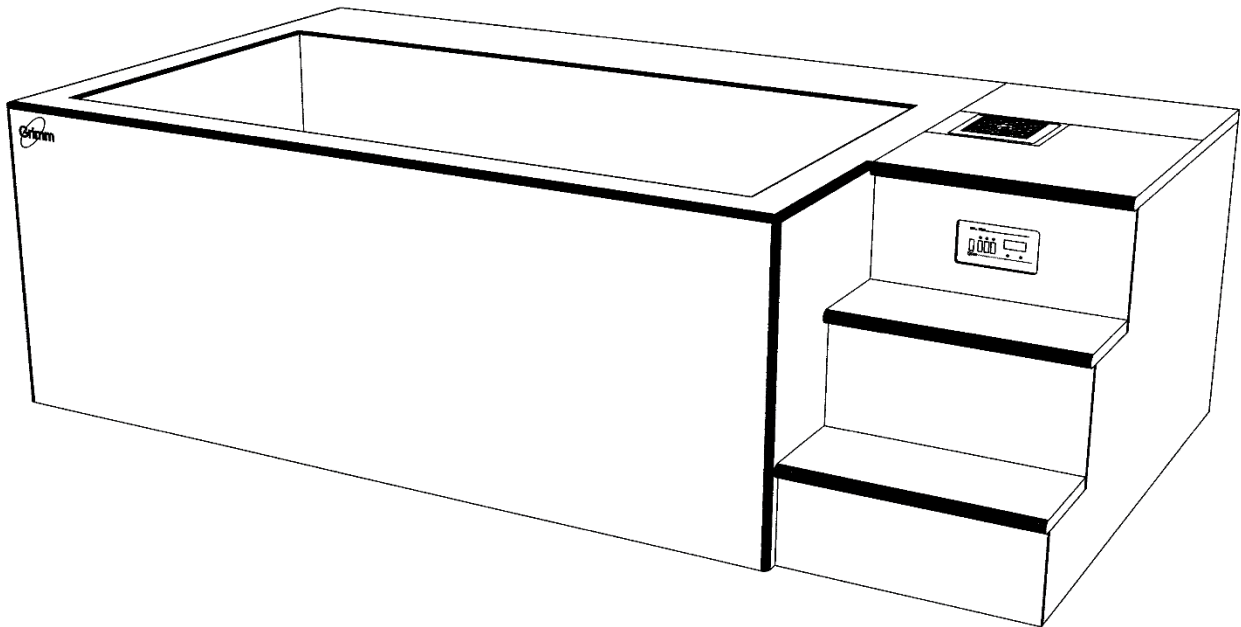


Model 7941 Cold-Tank Hydrotherapy Console



A versatile and efficient hydrotherapy console built to Minnesota Pool Code 4717. Its stainless steel cold plunge tank offers seated and over-the-waist immersion. Water temperature is precisely maintained with an internal refrigeration system. No need to add ice. This self-contained unit fits through a 42" x 84" doorway and can be installed in new or existing hydrotherapy areas with minimum site preparation.

Specifications:

Weight / Tank Empty	2,250 Pounds
Weight / Tank Full	6,814 Pounds
Tank Size	48" L x 94" W x 34" D
Tank Volume	89 Cubic Feet = 547 Gallons
Tank Surface Area	4,512 Square Inches = 33.3 Square feet
Tank Perimeter	284 Inches = 23.7 Feet
Tank Construction	12 Gauge, Type 304 Stainless Steel
Frame Size	136" L x 72" W x 40" H (w/Leveling Feet 40" - 41")
Water Temperature Range	40° F to 70° F
Refrigeration System	2-1/4 HP Water Cooled
Electrical Supply	208/230 Volt, 1-Phase, 60 Hertz
Full Load Amperage	26 Amps Max
Circuit Breaker	2 Pole, 40 Amp GFCI
Cold Water Supply Connection	Pipe Size = 3/4" Copper PSI = 20 Min. 80 Max.
Gravity Drain Outlet	Pipe Size = 1-1/2" Copper Flow = 40 GPM



Stainless Steel Tank

The tank is 48” long, 94” wide, and 34” deep with a capacity of 547 gallons. It is formed and welded from 12-gauge Type 304 stainless steel into a seamless unit with coved corners for easy cleaning. This high-quality stainless-steel tank assures maximum sanitation and provides a lifetime of durable service.

Gravity Drain

A large 1-1/2” gravity drain outlet located in the center of the stainless-steel tank with creases directing water to the outlet and a hand operated ball valve that simplifies draining and cleaning.

Water Level Control

The tank has an automatic control to maintain a constant 28” deep water level. This eliminates manual filling and accidental overflows when refilling the tank.

Recirculation System

All required equipment is NSF approved and piping is potable water rated. The recirculation system includes a skimmer with equalizer, 120 sq. ft. cartridge filter, 1-HP self-priming pump including automatic controller with a flow sensing switch and electrical interlock, VGB suction outlets, automatic chemical feed system, design flow rate meter, pressure gauges, and valves for adjustment of the system to meet Minnesota Pool Code 4717 requirements.

NSF Pump – 1 HP	Hayward SP3010EEAZ (40 GPM @ 75 ft. TDH, 106 GPM Max)
NSF Filter – 120 Sq. Ft.	Hayward C1200 (40 GPM Design Flow Rate)
NSF Bromine Feed System	Hayward CL220 (Max Output @ 4.6lbs./day)
NSF Skimmer	Hayward SP1084FVE
NSF Flow Meter	Flow Vis FV-C-15
NSF Suction Outlet (2 Each)	Paramount SDX 005-252-2098-02 (2 Drains)
Adjustable Inlet Jets (6 Each)	Waterway Body 210-5860 w/Jet 210-6040 (3/8” Dia. Orifice)
Design Flow Rate	40 GPM
Turnover in 8 Hours	19,200 Gallons
Turnover Time	0.23 Hours (14 Minutes)

Refrigeration System

A self-contained energy efficient 2-1/4 HP Refrigeration System chills the water. This system is charged with environmental friendly, zero ozone depletion potential, R-407A refrigerant.

Temperature Control

An electronic control accurately maintains and digitally displays water temperature that is adjustable from 40°F to 70°F. Temperature is measured and can be set to within 0.1°F. A Press-To-Set button displays the set point temperature and adjustment is made with a tamper proof screwdriver slot.

Foamed-In-Place Insulation

At least six inches of foamed-in-place polyurethane insulation surrounds and supports the tank. This exceptional insulation significantly reduces heat loss. CRYOTherm saves with energy and water savings when compared to conventional whirlpools

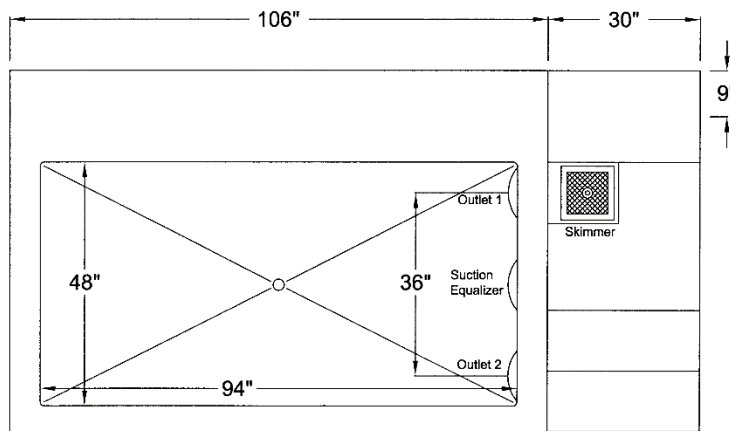
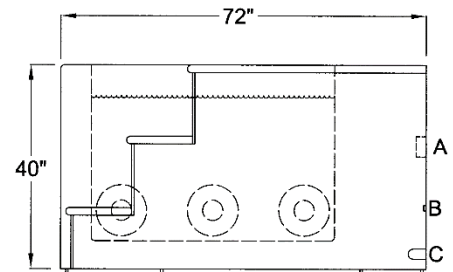
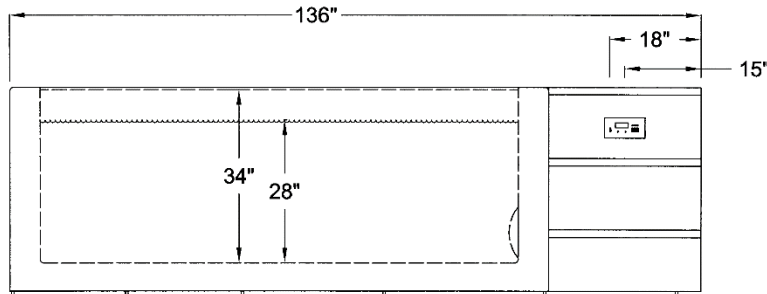
Installation

Delivery, installation supervision, and field-testing are provided with the CRYOTherm Cold-Tank Hydrotherapy Console.

- Corian Team Logo Inlay
- Third Party Field Evaluation



Specifications



A = Electrical Connection

208/230 Volt, 60 Hertz, Single Phase 4-Wire
Rating at Full Load = 26 Amp Max
* Circuit Breaker = 2-Pole, 40 Amp, GFCI
* Disconnect Switch

(* Supplied by Customer)

B = Cold Water Supply Connection

Pipe Size = 3/4 FPT Brass
Water Pressure = 20 PSI Min. 60 PSI Max.
Water Temperature = 45°F Min. 80°F Max.
* Backflow Preventer

(* Supplied by Customer)

C = Gravity Drain Outlet

Pipe Size = 1-1/2" Copper
Flow = 40 GPM
* Floor Sink with 4-Inch drain is recommended

(* Supplied by Customer)

(* Gravity drain outlet must have code required airgap at discharge to floor sink)

FDA Listed Medical Device



One-Year Warranty

The CRYOTherm warranty applies to purchaser and any subsequent owner. Grimm Scientific Industries, Inc. (warrantor) warrants this product to be free from defects in material and workmanship under normal use for one year from the date the product is installed. The warrantor may opt to replace the product, rather than repair it. This warranty does not cover damage resulting from accidents, improper use, or maintenance of this product, and in no case shall the warrantor's liability exceed the original purchase price paid for the product. This warranty is expressly in lieu of all other express warranties.

Contact Us:

Grimm Scientific Industries, Inc
P.O. Box 2143
Marietta, OH 45750
Phone....800-223-5395
Fax.....740-374-5745
E-mail....grimm@ee.net

