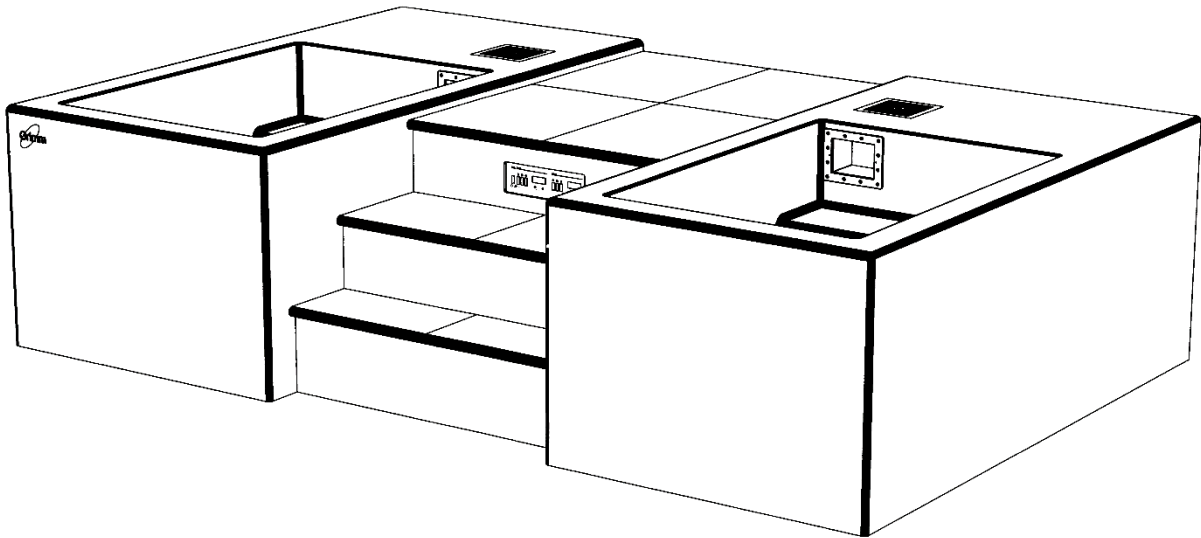


Model 7906 Cold₂ Warm Hydrotherapy Console



A versatile and efficient hydrotherapy system built to Texas State Pool and Spa Regulations. Its stainless steel cold and warm plunge tanks offer seated and over-the-waist immersion. Water temperature is precisely maintained with an internal refrigeration system. No need to add ice or hot water. This self-contained unit fits through a 42" x 96" doorway and can be installed in new or existing hydrotherapy areas with minimum site preparation.

Specifications:

	Cold Tank	Cold₂Warm Tank
Weight / Tank Empty	3,400 Pounds	
Weight / Tank Full	7,568 Pounds	
Tank Size	56" L x 48" W x 34" D	56" L x 48" W x 34" D
Tank Volume	256 Gallons	
Tank Surface Area	16.3 Square Feet	
Tank Perimeter	16.3 Feet	
Tank Construction	12 Gauge, Type 304 Stainless Steel	
Frame Size	40" H x 84" W x 162" L	
Water Temperature Range	40° F to 70° F	40° F to 104° F
Refrigeration System	2-1/4 HP Water Cooled	
Electrical Supply	208 Volt, Single-Phase, 60 Hertz	
Full Load Amperage	38 Amps Max	
Circuit Breaker	2 Pole, 50 Amp GFCI	
Cold Water Supply	Pipe Size = 3/4" Copper PSI = 20 Min. 80 Max.	
Gravity Drain Outlet	Pipe Size = 1.5" Copper Max Flow = 61 GPM	

Stainless Steel Tanks

Both tanks are 56" long, 42" wide, and 34" deep, with a capacity of 256 gallons. It is formed and welded from 12-gauge Type 304 stainless steel into a seamless unit with coved corners for easy cleaning. This high-quality stainless-steel tank assures maximum sanitation and provides a lifetime of durable service.



Gravity Drain

A large 1-1/2" gravity drain outlet located in the center of the stainless-steel tank with creases directing water to the outlet and a hand operated ball valve that simplifies draining and cleaning.

Water Level Control

Both tanks have an automatic control to maintain a constant 29" deep water level. This eliminates manual filling and accidental overflows when refilling the tank.

Recirculation System

All required equipment is NSF approved and piping is potable water rated. The recirculation system includes skimmers, 100 sq. ft. cartridge filters, 1/2-HP self-priming pumps with flow sensing switch and electrical interlock, VGB suction outlets, automatic chemical feed systems, design flow rate meters, pressure/ vacuum gauges, and valves for adjustment of the system to meet Texas State Pool and Spa Regulations.

NSF Pumps – 1/2 HP	Hayward SP2600X5 (18 GPM @ 40 ft. TDH, 48 GPM Max)	
NSF Filters – 100 Sq. Ft.	Hayward C100s (37.5 GPM Design Flow Rate)	
NSF Chemical Feeders	Hayward CL220 w/ Pentair R172080 Flow Meter	
NSF Skimmers	Hayward SP1084FVE	
NSF Flow Meters	Flow Vis FV-C-15	
Suction Outlets	Paramount SDX2	
UL 1261-1992 Heater	Coates 6ILS	
SVRS System	Vacless SVRS10	
Adjustable Inlets	Waterway - Body: 210-5860, Jet w/1/2" Dia. Orifice: 210-6040	
Design Flow Rate	Left Tank = 18 GPM	Right Tank = 18 GPM
Flow Velocities	Per Suction = .919 ft/s	Per Jet = 1.838 ft/s
Turnover in 8 Hours	Left Tank = 8,640 Gallons	Right Tank = 8,640 Gallons
Turnover Rate	Left Tank = 26.2 min.	Right Tank = 26.2 min.

Refrigeration System

A self-contained energy efficient 2-1/4 HP refrigeration system chills the water and heat removed from the cold tank is recovered to supplement heating the warm tank. The warm tank can also be switched to cold when both tanks are needed for cryotherapy. This system is charged with environmental friendly, zero ozone depletion potential, R-407A refrigerant.

Temperature Controls

An electronic control accurately maintains and digitally displays water temperature that is adjustable in both tanks. The left tank is adjustable from 40°F to 70°F and the right tank is adjustable from 40°F to 104°F. Temperature is measured and can be set to within 0.1°F. A Press-To-Set button displays the set point temperature and adjustment is made with a tamper proof screwdriver slot.

Foamed-In-Place Insulation

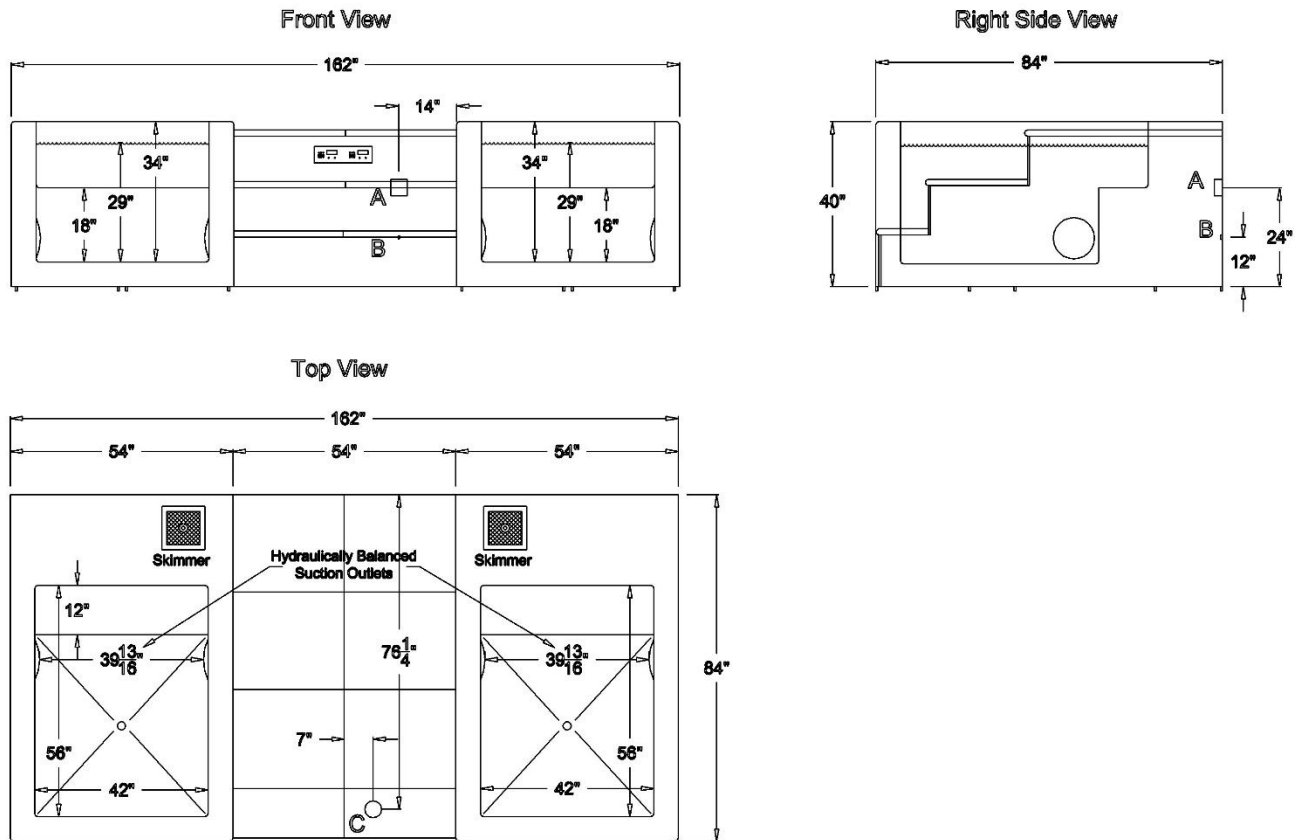
At least six inches of foamed-in-place polyurethane insulation surrounds and supports the tank. This exceptional insulation significantly reduces heat loss. CRYOTherm saves with energy and water savings when compared to conventional whirlpools.

Installation

Delivery, installation supervision, and field-testing are provided with the CRYOTherm Cold 2 Warm Hydrotherapy Console.



Specifications



A = Electrical Connection

208/230 Volt, 60 Hertz, Single Phase 4-Wire
Rating at Full Load = 38 Amp Max
* Circuit Breaker = 2-Pole, 50 Amp, GFCI
* Wall Outlet = NEMA 14-50R
* Disconnect Switch

(* Supplied by Customer)

B = Cold Water Supply Connection

Pipe Size = 3/4 FPT Brass
Water Pressure = 20 PSI Min. 60 PSI Max.
Water Temperature = 45°F Min. 80°F Max.
* Backflow Preventer

(* Supplied by Customer)

FDA Listed Medical Device

C = Drain Outlet

Pipe Size = 1-1/2" Copper
Flow = 40 GPM
* Floor Sink with 4-Inch drain is recommended

(* Supplied by Customer)

Optional

- Corian Team Logo Inlay
- Switchable Warm Tank Delete
- Third Party Field Evaluation



One-Year Warranty

The CRYOTherm warranty applies to purchaser and any subsequent owner. Grimm Scientific Industries, Inc. (warrantor) warrants this product to be free from defects in material and workmanship under normal use for one year from the date the product is installed. The warrantor may opt to replace the product, rather than repair it. This warranty does not cover damage resulting from accidents, improper use, or maintenance of this product, and in no case, shall the warrantor's liability exceed the original purchase price paid for the product. This warranty is expressly in lieu of all other express warranties.

Contact Us:

Grimm Scientific Industries, Inc
P.O. Box 2143
Marietta, OH 45750
Phone....800-223-5395
Fax.....740-374-5745
E-mail....grimm@ee.net

