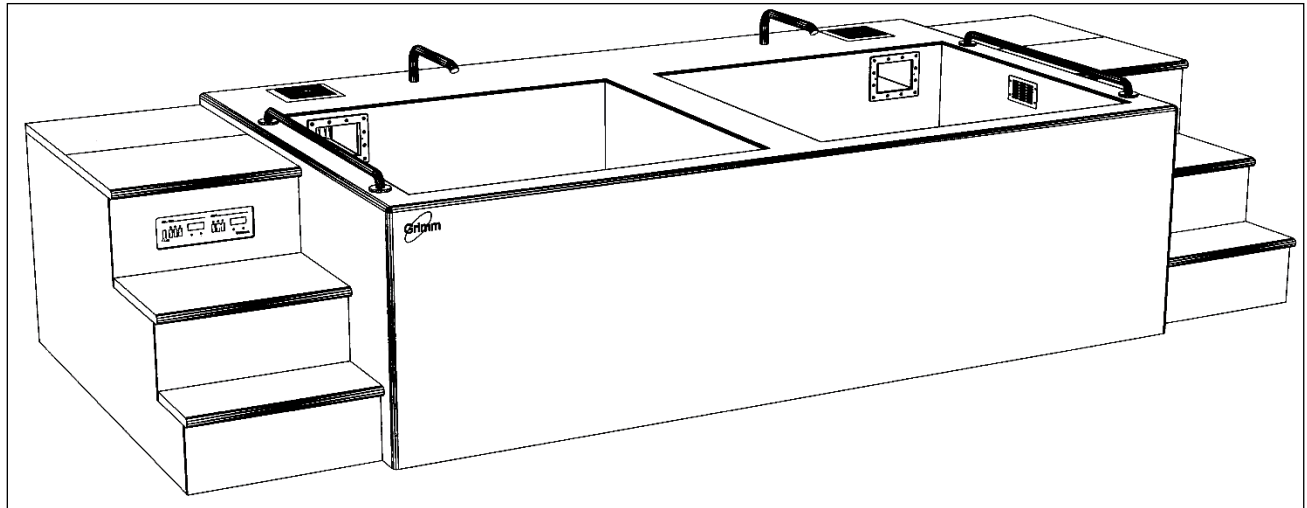


Model 7904 Cold₂ Warm Hydrotherapy Console



A versatile and efficient hydrotherapy system built to Illinois Pool Code. Its stainless steel cold plunge tank offers seated and over-the-waist immersion. Water temperature is precisely maintained with an internal refrigeration system. No need to add ice. This self-contained unit fits through a 42" x 96" doorway and can be installed in new or existing hydrotherapy areas with minimum site preparation.

Specifications:

Weight / Tanks Empty	3,660 Pounds
Weight / Tanks Full	9,592 Pounds
Tank Sizes	56" L x 60" W x 34" D
Tank Volumes	422 Gallons = 56.4 Cubic Ft.
Tank Surface Areas	3,360 Square Inches = 23.33 Square Feet
Tank Perimeters	232 Inches = 19.33 Feet
Tank Construction	12 Gauge, Type 304 Stainless Steel
Frame Size	202" L x 84" W x 40" H (w/Leveling Feet 40" - 41")
Water Temperature Range	Left: 40° F to 70° F Right: 40° F to 110° F
Refrigeration System	2-1/4 HP Water Cooled
Electrical Supply	208 Volt, 1-Phase, 60 Hertz
Full Load Amperage	42 Amps Max
Circuit Breaker	2 Pole, 60 Amp GFCI
Cold Water Supply Connection	Pipe Size = 3/4" Copper PSI = 40 Min. 80 Max.
Gravity Drain Outlet	Pipe Size = 1-1/2" Copper Flow = 40 GPM

Stainless Steel Tanks

Each tank is 60" long, 56" wide, and 34" deep with a capacity of 422 gallons. It is formed and welded from 12-gauge Type 304 stainless steel into a seamless unit with coved corners for easy cleaning. This high-quality stainless-steel tank assures maximum sanitation and provides a lifetime of durable service.

Gravity Drain



A large 1-1/2" gravity drain outlet located in the center of the stainless-steel tank with creases directing water to the outlet and a hand operated ball valve that simplifies draining and cleaning.

Water Level Control

Both tanks have an automatic control to maintain a constant 29" deep water level. This eliminates manual filling and accidental overflows when refilling the tank.

Recirculation System

All required equipment is NSF approved and piping is potable water rated. The recirculation system includes skimmers with equalizer, 100 sq. ft. cartridge filters, 3/4-HP self-priming pumps with flow sensing switch and electrical interlock, VGB suction outlets, automatic chemical feed systems, design flow rate meters, pressure/vacuum gauges, and valves for adjustment of the system to meet Illinois Pool Code requirements.

NSF Pumps – 3/4 HP	Hayward SP3007EEAZ (37.5 GPM @ 73 ft. TDH, 79 GPM Max)	
NSF Filters – 100 Sq. Ft.	Hayward C100s (37.5 GPM Design Flow Rate)	
NSF Chemical Feeders	Hayward CL220 w/ Pentair R172080 Flow Meter	
NSF Skimmers	Hayward SP1084FVE	
NSF Flow Meters	Flow Vis FV-C-15	
UL VGB 2008 Suction Outlets	Waterway 640-3570SV	
Adjustable Inlets	Waterway - Body: 210-5860, Jet w/1/2" Dia. Orifice: 210-6040	
Design Flow Rate	Left Tank = 37.5 GPM	Right Tank = 37.5 GPM
Turnover in 8 Hours	Left Tank = 18,000 Gallons	Right Tank = 18,000 Gallons
Turnover Time	Left Tank: 0.188hr. = 11.3min.	Right Tank: 0.188hr. = 11.3min.

Refrigeration System

Our unique energy efficient refrigeration system warms the right tank with heat recovered while cooling the left tank. The right tank can also be switched from warm to cold when both tanks are needed for cryotherapy. System is charged with environmental friendly, zero ozone depletion potential, R-407A refrigerant.

Temperature Controls

An electronic control accurately maintains and digitally displays water temperature that is adjustable in both tanks. The left tank is adjustable from 40°F to 70°F and the right tank is adjustable from 40°F to 110°F (70°F to 110°F with Switchable Warm Tank Delete Option). Temperature is measured and can be set to within 0.1°F. A Press-To-Set button displays the set point temperature and adjustment is made with a tamper proof screwdriver slot.

Foamed-In-Place Insulation

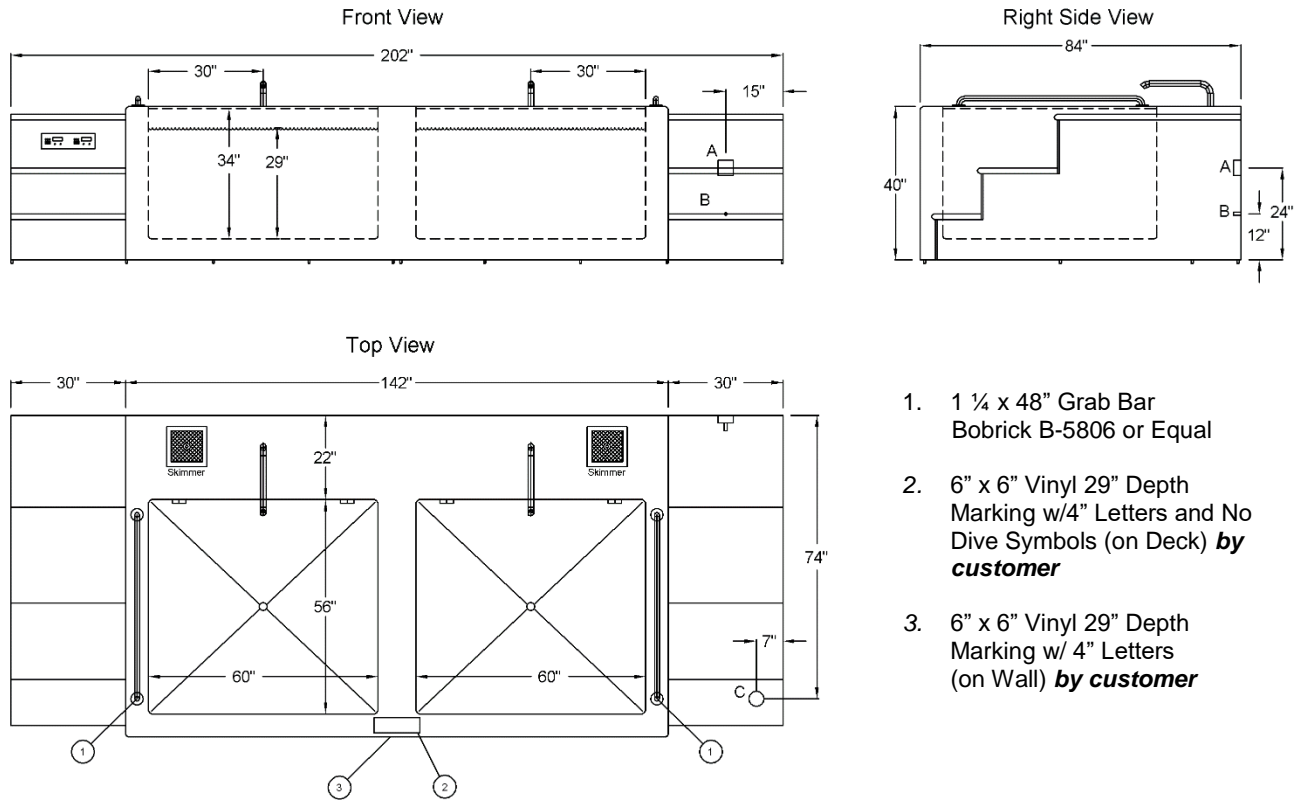
At least six inches of foamed-in-place polyurethane insulation surrounds and supports the tank. This exceptional insulation significantly reduces heat loss. CRYOTherm saves with energy and water savings when compared to conventional whirlpools

Installation

Delivery, installation supervision, and field-testing are provided with the CRYOTherm Cold₂ Warm Hydrotherapy Console.



Specifications



1. 1 ¼ x 48" Grab Bar
Bobrick B-5806 or Equal
2. 6" x 6" Vinyl 29" Depth
Marking w/4" Letters and No
Dive Symbols (on Deck) **by
customer**
3. 6" x 6" Vinyl 29" Depth
Marking w/ 4" Letters
(on Wall) **by customer**

A = Electrical Connection

208/230 Volt, 60 Hertz, Single Phase 4-Wire
Rating at Full Load = 42 Amp Max
* Circuit Breaker = 2-Pole, 60 Amp, GFCI
* Disconnect Switch

(* Supplied by Customer)

C = Drain Outlet

Pipe Size = 1-1/2" Copper
Flow = 40 GPM
* Floor Sink with 4-Inch drain is recommended (* Supplied by Customer)

NOTE: All aspects of the facility shall conform with the 2008 National Electric Code

B = Cold Water Supply Connection

Pipe Size = ¾ FPT Brass
Water Pressure = 20 PSI Min. 60 PSI Max.
Water Temperature = 45°F Min. 80°F Max.
* Backflow Preventer

(* Supplied by Customer)

FDA Listed Medical Device

Optional

- Corian Team Logo Inlay
- Switchable Warm Tank Delete



One-Year Warranty

The CRYOTherm warranty applies to purchaser and any subsequent owner. Grimm Scientific Industries, Inc. (warrantor) warrants this product to be free from defects in material and workmanship under normal use for one year from the date the product is installed. The warrantor may opt to replace the product, rather than repair it. This warranty does not cover damage resulting from accidents, improper use, or maintenance of this product, and in no case, shall the warrantor's liability exceed the original purchase price paid for the product. This warranty is expressly in lieu of all other express warranties.

Contact Us:

Grimm Scientific Industries, Inc
P.O. Box 2143
Marietta, OH 45750
Phone....800-223-5395
Fax.....740-374-5745
E-mail....grimm@ee.net

