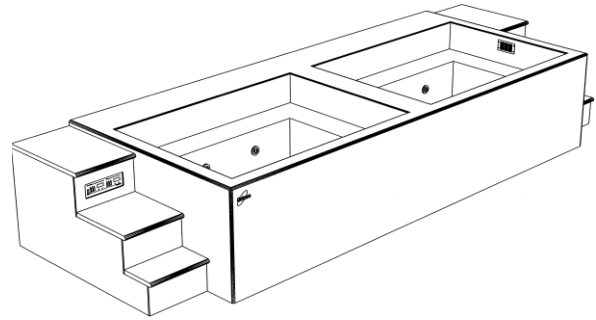


**Model 4940 Cold<sub>2</sub> Warm Hydrotherapy Console**

A versatile and efficient hydrotherapy system for treating multiple athletes. Both warm and cold plunge tanks offer seated, waist-high and extremity immersion. Water temperatures are precisely maintained with an internal refrigeration system. No need to add ice or hot water. Standard protocol recommends draining and cleaning only once a week. This self-contained unit fits through a 42" x 90" opening and can be installed in new or existing hydrotherapy areas with minimum site preparation.

**Stainless Steel Tanks**

Both tanks are 60" long, 84" wide, and 34" deep with a capacity of 474 gallons. They are formed and welded from 14-gauge Type 304 stainless steel into a seamless unit for easy cleaning. These high-quality stainless-steel tanks assure maximum sanitation and provide a lifetime of durable service.

**Corian Surface**

The entire exterior is fabricated with Cameo White and Sierra Dusk Corian solid surface material. This comfortable and easy to clean surface is extremely durable. Corian comes with a DuPont 10-year limited warranty.

**Hydrotherapy System**

Independent dual-speed pumps provide circulation for each tank. Press the timer button and hydrotherapy action is delivered through six Comfort-Flo nozzles for 20 minutes. Air controls activate turbo-boost for smooth, high-volume air/water flow.

**Cartridge Filters**

Water cleanliness and clarity is maintained with 100% circulation through two replaceable cartridge filters.

**Water Level Controls**

Both tanks have dual automatic controls to maintain a constant 32" or 30" deep water levels. These eliminate manual filling, replace water volume displaced by immersion, and help refresh the tanks.

**Heat Recovery System**

The unique energy efficient refrigeration system warms the right tank with heat recovered while cooling the left tank. The right tank can also be switched from warm to cold when both tanks are needed for cryotherapy.

**Temperature Controls**

Electronic controls accurately maintain and digitally display water temperatures in both tanks. The left tank is adjustable from 40°F to 70°F and the right tank from 40°F to 110°F (*70°F to 110°F with Switchable Warm Tank Delete Option*). Temperature is measured and can be set to within 0.1°F. A Press-To-Set button displays the set point temperature and adjustment is made with a tamper proof screwdriver slot.

**Foamed-In-Place Insulation**

At least six inches of foamed-in-place polyurethane insulation surrounds and supports both tanks. This exceptional insulation significantly reduces heat loss. CRYOTherm will pay for itself with energy and water savings when compared to conventional whirlpools.

**Installation**

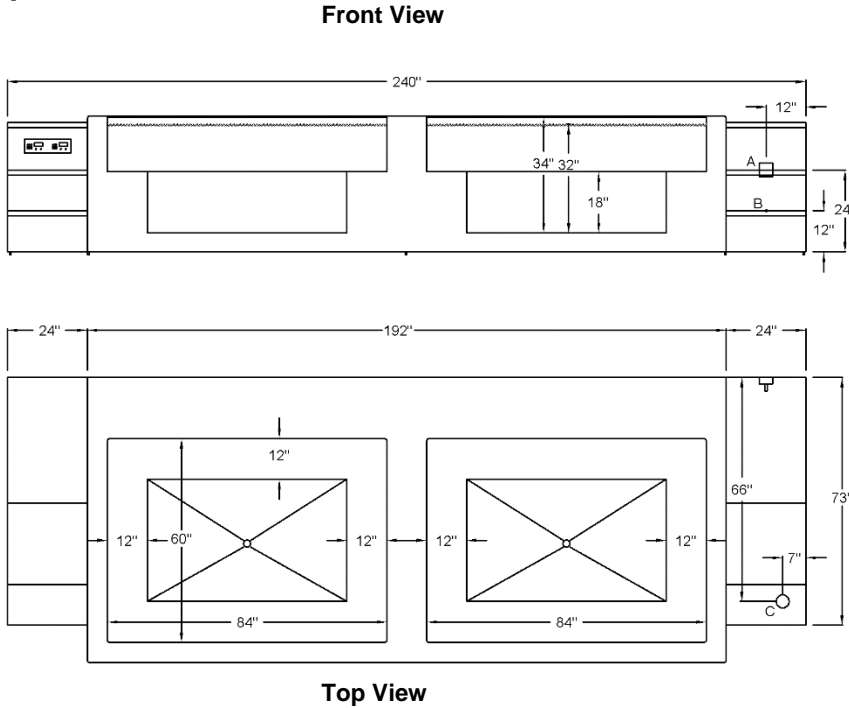
Delivery, installation supervision, and field-testing are included with the CRYOTherm Cold<sub>2</sub> Warm Hydrotherapy Console.

**Optional Accessories**

- Corian Team Logo Inlay
- Switchable Warm Tank Delete



**Specifications**



Left Tank.....40°F to 70°F  
 Right Tank.....40°F to 110°F  
 Tank Capacities.....474 gal.  
 Weight (Filled)..... 10,572 lb.  
 Weight (Empty).....3,500 lb.

**One-Year Warranty**

The CRYOTherm warranty applies to purchaser and any subsequent owner. Grimm Scientific Industries, Inc. (warrantor) warrants this product to be free from defects in material and workmanship under normal use for one year from the date the product is installed. The warrantor may opt to replace the product, rather than repair it. This warranty does not cover damage resulting from accidents, improper use, or maintenance of this product, and in no case shall warrantor's liability exceed the original purchase price paid for the product. This warranty is expressly in lieu of all other express warranties.

**Contact Us:**

Grimm Scientific Industries, Inc  
 P.O. Box 2143  
 Marietta, OH 45750

Phone....800-223-5395  
 Fax.....740-374-5745  
 E-mail....grimm@ee.net

**FDA Listed Medical Device**

**ETL Certified to Meet UL 1795 Standard for Safety – Hydrotherapy Bathtubs**

**A = Electrical Connection**

<b>208V, 60Hz, Single Phase 4-Wire</b>
Rating at Full Load = 38 Amp Max
* Circuit Breaker = 2-Pole, 50 Amp, GFCI
* Wall Outlet = NEMA 14-50R

(\* Supplied by Customer)

**B = Cold Water Supply Connection**

Pipe Size = ¾ FPT Brass
Backflow Preventer = Included with CRYOTherm
Water Temperature = 45°F Min. 80°F Max.
Water Pressure = 20 PSI Min. 60 PSI Max.

**C = Drain Connection**

Pipe Size = 2" Copper
Flow = 40 GPM Min.

